



# M5

[www.rodemic.com/m5](http://www.rodemic.com/m5)

M5

M5

RØDE

- 1/2"
- 
- 
- 
- 
- 
- 
- 
- 
-

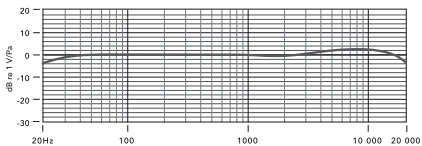
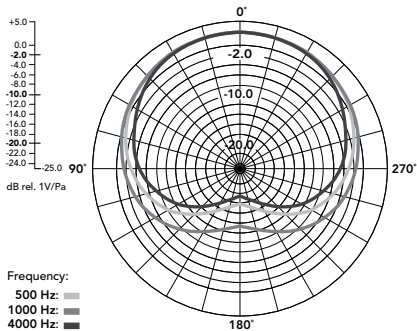
VideoMic<:hs>Pro

(1)

(10)



QR



JFET

20Hz~20kHz

200

19dBA SPL    IEC651

+13.5dBu    1kHz, 1% THD    1k

-34dB re 1V/Pa  
(20mV @ 94dB SPL)  
±2dB @ 1kHz

121dBSPL

140dB

75dBA SPL      IEC651

24V  
48V

3    XLR  
     2 (+)      3 (-)  
1

80g

RM5      (x2)  
WS5      (x2)

The M5 48V DC ( ) 24V DC ( )





XLR

DC)

M5  
(24V DC)

(48V

M5

 $\frac{3}{8}$ 

M5

RM5

RM5

 $\frac{5}{8}$ 

RM5

M5 " "

EQ

" "



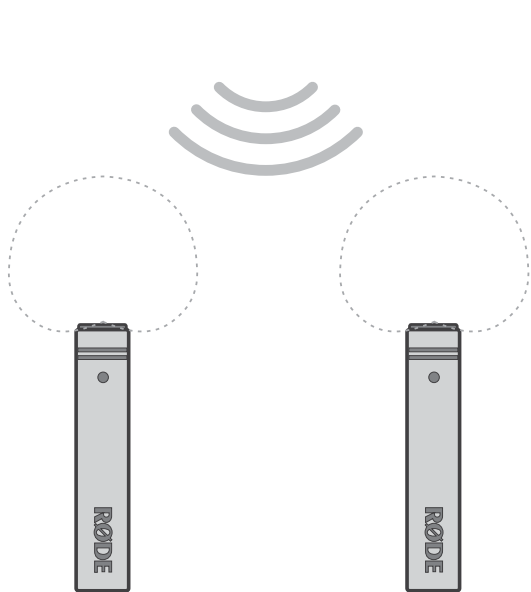
M5

M5



M5





X/Y

M5

90°

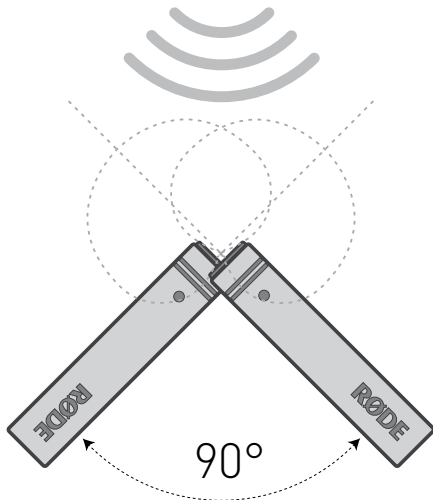


X/Y

X/Y

ORTF





ORTF

M5

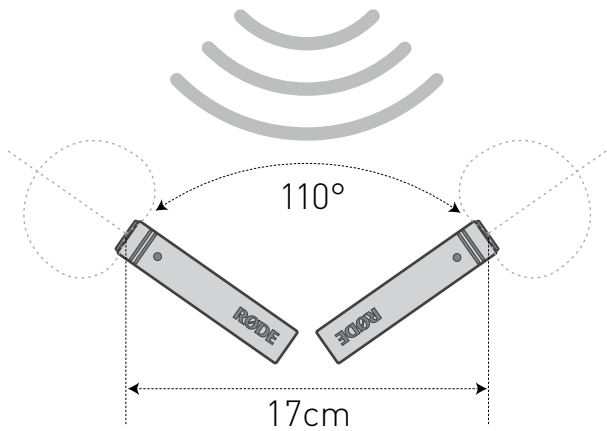
110°

17cm



ORTF 1960  
"Office de  
Radiodiffusion Télévision Française"

X/Y



M5

100~150°

RØDE

[www.rodemic.com/support](http://www.rodemic.com/support)

[www.rodemic.com/distributors](http://www.rodemic.com/distributors)

107 Carnarvon Street  
Silverwater NSW 2128

2745 N Raymond Ave  
Signal Hill CA 90755

PO Box 91028  
Long Beach CA 90809-1028